

GENERAL INFORMATION

The Source Four Mini can go where no full-sized Source Four has gone before. ETC's 50-watt Source Four Mini features the same crisp optics, user-friendly functionality and sleek look of the legendary Source Four fixture, but in a compact format a fraction of the size.

The Source Four Mini has four field-angle choices and comes in a portable version with a miniature C-clamp and a canopy-mount or track-mount design with an integral transformer. Surprisingly bright for its size, the Mini offers crystal-clear image projection and a bright, even field.

VENUES

- Museums
- Retail Stores
- Restaurants
- Lobbies
- Light Labs
- Theaters

FEATURES

- Rugged, die-cast fixture body
- Interchangeable lens tubes permit selection of 19°, 26°, 36° and 50° field angles
- Uniquely efficient optical system
- Effective heat dissipation using dichroic reflector for a cool beam
- Long life dimmable tungsten source
- Three-plane shutters
- Multiple accessories available for color, pattern, and filtering
- Multiple mounting options: C-Clamp, Canopy and Track
- Custom paint colors available, contact ETC

GENERAL

- ETL listed to the following standards
  - Portable UL/cUL153
  - Track Mount UL/cUL1574
  - Canopy Mount UL/cUL1598

ORDERING INFORMATION

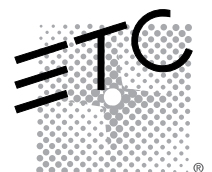
Source Four Mini

MODEL	DESCRIPTION
4M19	19° Source Four Mini (black)
4M26	26° Source Four Mini (black)
4M36	36° Source Four Mini (black)
4M50	50° Source Four Mini (black)
<b>COLOR OPTIONS</b>	
-1	White
-5	Silver

Additional Ordering Information

MODEL	DESCRIPTION
N/A	Portable
-I	Install Canopy Mount
-T	Track Mount adaptor

Example: 4M19-1T for a Source Four Mini with a 19° lens in white with a track mount adaptor



## SPECIFICATIONS

## PHYSICAL

- Die cast aluminum construction (A380 grade)
- Fine-texture, high-temperature powder-coated paint
- Steel yoke with .406" diameter mounting hole
- Rotating shutter assembly  $\pm 175^\circ$
- E-Size gobo pattern holder. (included)
  - 37.5mm with a 25.4mm image area
- Removable rear housing for easy lamp replacement
- Stainless steel, full hard shutters in a tri-plane assembly, .40mm (A301 grade)
- Fixed beam angles to suit a range of throw distances
- Tool-free tilt and beam adjustment
- High impact resistant, thermally insulated knobs and shutter handles
- Captive accessory slot for pattern holder (included)
- Dual captive accessory slots for media frame (included)
- Portable-
  - Yoke mounted 12v transformer in color matched enclosure (Black enclosure for silver fixtures)
  - Miniature C-clamp mounting (included)- for use with 3/8" to 1" pipe (.675" to 1.315" OD)
  - 3 foot power cable with 2-prong Edison connector
- Install Canopy-
  - Color matched, powder coated canopy mount with integrated 12v transformer (included)
  - Canopy dimensions: 5.31" (W) x 1.04" (H)
  - Installation hardware included
  - Fixture to canopy factory pre-wired for easy install
  - Built-in rotation stop to prevent cable damage
- Track Mount-
  - Compatible and ETL-listed for EUTRAC-brand track
  - EUTRAC (#98-549-) 2-circuit track adapter included
  - Integral 12v transformer factory installed in color matched adapter (Black adapter for silver fixtures)
- Black or white power lead from fixture to transformer
- IP20 for Portable and Canopy versions
- IP40 for Track version
- For ceiling mount installations only

## ELECTRICAL

- GE Lightech™ Halogen Transformer (included)
- 60W Class 2 electronic transformer
- Potted
- 12V DC output
- 120v AC 60Hz input power
- Power factor: 0.95
- Input current: 0.5 A
- Output current: 5000.0 mA
- UL E193999 standard
- 18 AWG input wire size
- Dimmable (forward and reverse phase)

## SPECIFICATIONS (CONT.)

## LAMP

- Ushio 50W Eurostar™ IR MR-16 lamp (included)
- Long life lamp: 5000 hrs. average lamp life
- 35° flood beam spread
- 3000K color temperature
- Halogen capsule cuts harmful UV
- Titanium oxide coating provides consistent color throughout life
- Axial Filament
- Base type: GU5.3

## OPTICAL

- Fixed beam options of 19°, 26°, 36° and 50° field angles
- Projector-quality, high contrast lenses
- Beam edge continually adjustable hard-to-soft

## THERMAL

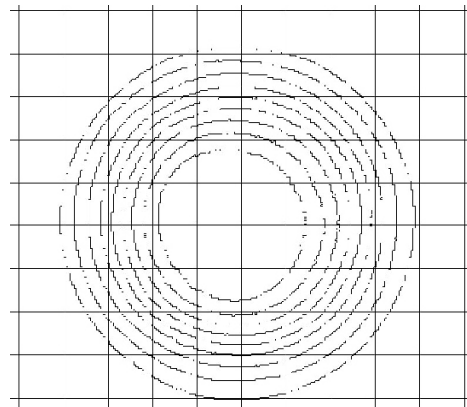
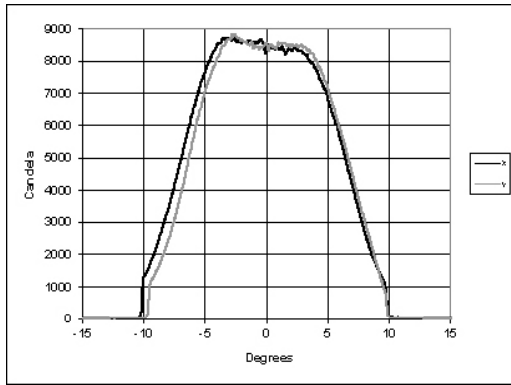
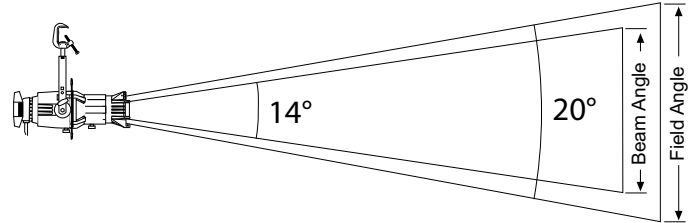
- 0°C to +50°C

PHOTOMETRY

19 degree

FIELD LUMENS	BEAM LUMENS	BEAM ANGLE	FIELD ANGLE	CANDELA	LUMENS PER WATT
440	320	14.10°	19.54°	8,830	8.76

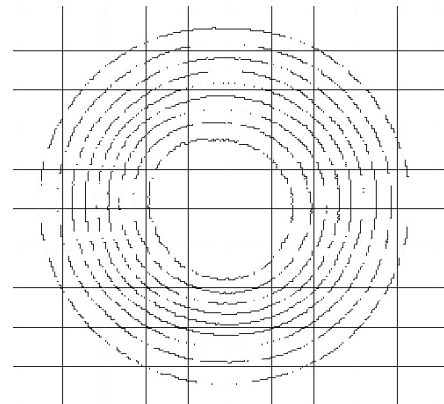
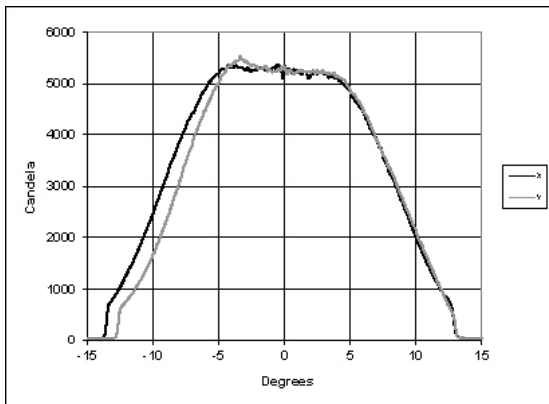
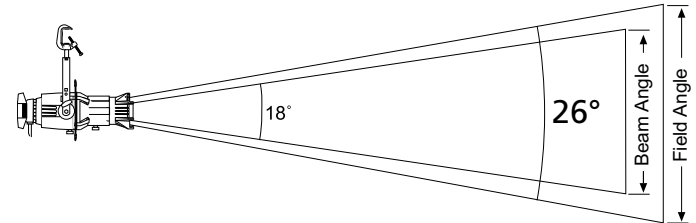
THROW DISTANCE	10'	15'	20'	30'
	3.0m	4.6m	6.1m	9.1m
FIELD DIAMETER	3.4'	5.2'	6.9'	10.3'
	1.0m	1.6m	2.1m	3.1m
ILLUMINANCE (FC)	88.3	39.2	22.1	9.8
ILLUMINANCE (LUX)	950	422	238	106



26 degree

FIELD LUMENS	BEAM LUMENS	BEAM ANGLE	FIELD ANGLE	CANDELA	LUMENS PER WATT
460	320	18.20°	25.80°	5,500	9.12

THROW DISTANCE	10'	15'	20'	30'
	3.0m	4.6m	6.1m	9.1m
FIELD DIAMETER	4.6'	6.9'	9.2'	13.7'
	1.4m	2.1m	2.8m	4.2m
ILLUMINANCE (FC)	55.0	24.4	13.8	6.1
ILLUMINANCE (LUX)	592	263	148	66

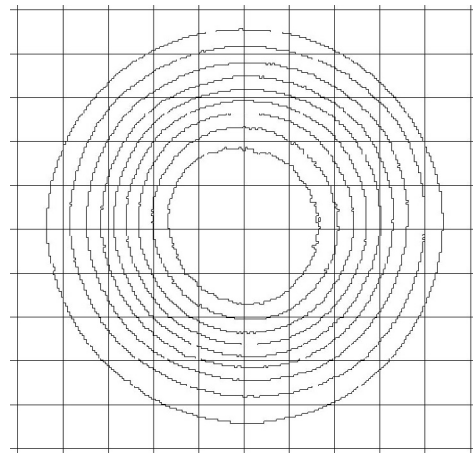
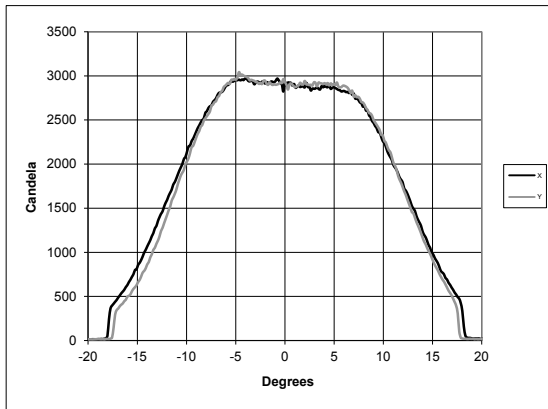
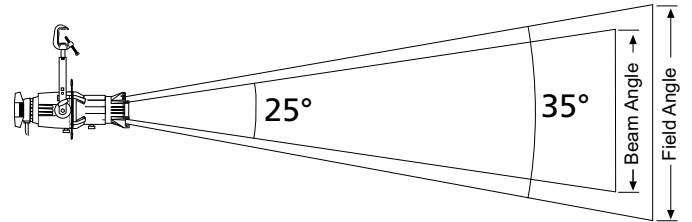


PHOTOMETRY

36 degree

FIELD LUMENS	BEAM LUMENS	BEAM ANGLE	FIELD ANGLE	CANDELA	LUMENS PER WATT
480	330	25.2°	35.3°	3,030	9.56

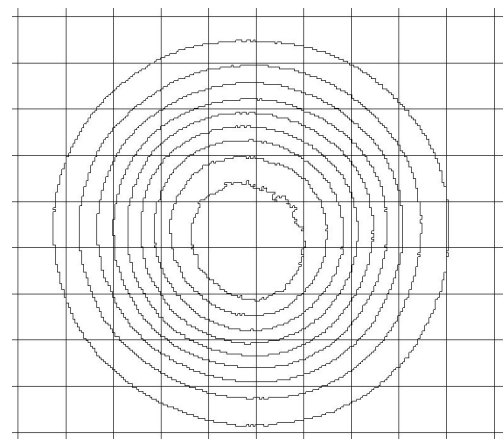
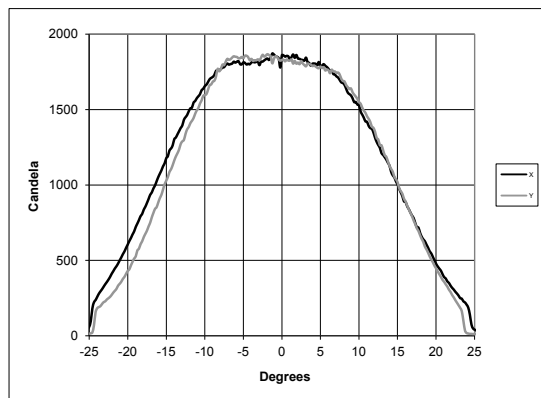
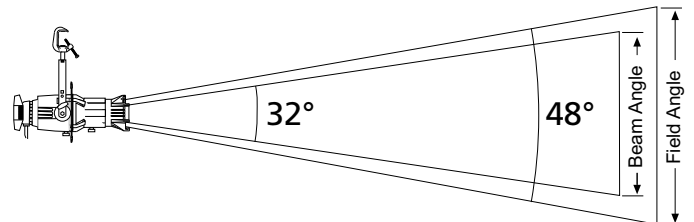
THROW DISTANCE	10'	15'	20'	30'
	3.0m	4.6m	6.1m	9.1m
FIELD DIAMETER	6.4'	9.5'	12.7'	19.1'
	1.9m	2.9m	3.9m	5.8m
ILLUMINANCE (FC)	30.3	13.5	7.6	3.4
ILLUMINANCE (LUX)	326	145	82	36



50 degree

FIELD LUMENS	BEAM LUMENS	BEAM ANGLE	FIELD ANGLE	CANDELA	LUMENS PER WATT
500	320	32.2°	48.0°	1,940	9.96

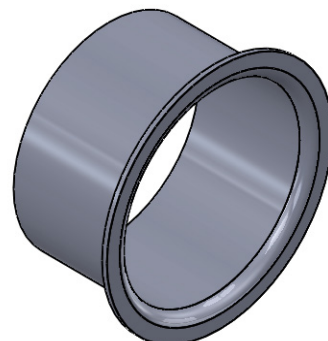
THROW DISTANCE	10'	15'	20'	30'
	3.0m	4.6m	6.1m	9.1m
FIELD DIAMETER	8.9'	13.4'	17.8'	26.7'
	2.7m	4.1m	5.4m	8.1m
ILLUMINANCE (FC)	19.4	8.6	4.9	2.2
ILLUMINANCE (LUX)	209	93	52	23



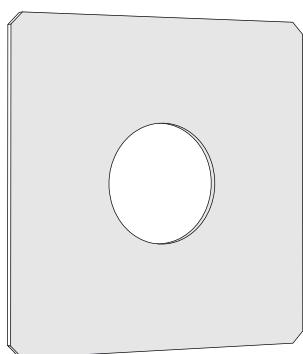
ACCESSORIES

**MiniFour Accessories**

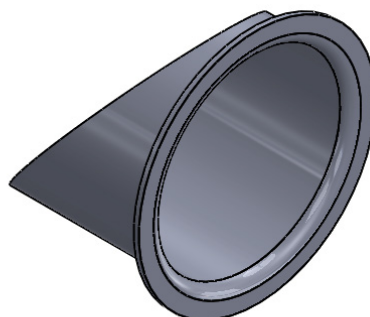
MODEL	DESCRIPTION
4MPH	Pattern holder
4MCF	Color frame
4MD	Donut
4MTH	Top hat
4MTHS	Top hat short
4MHH	Half hat
4MHHS	Half hat short



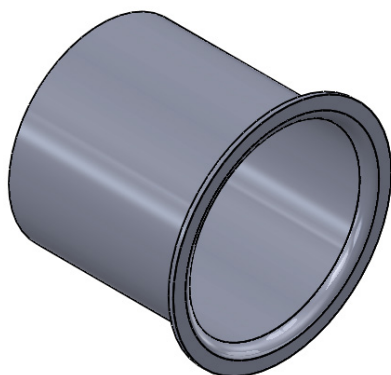
**4MTHS - TOP HAT SHORT**



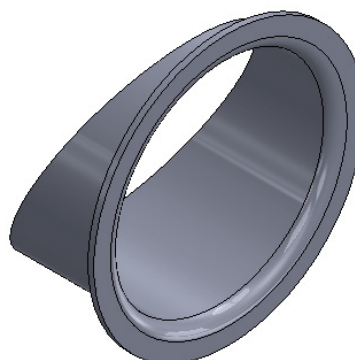
**4MD - DONUT**



**4MHH - HALF HAT**



**4MTH - TOP HAT**



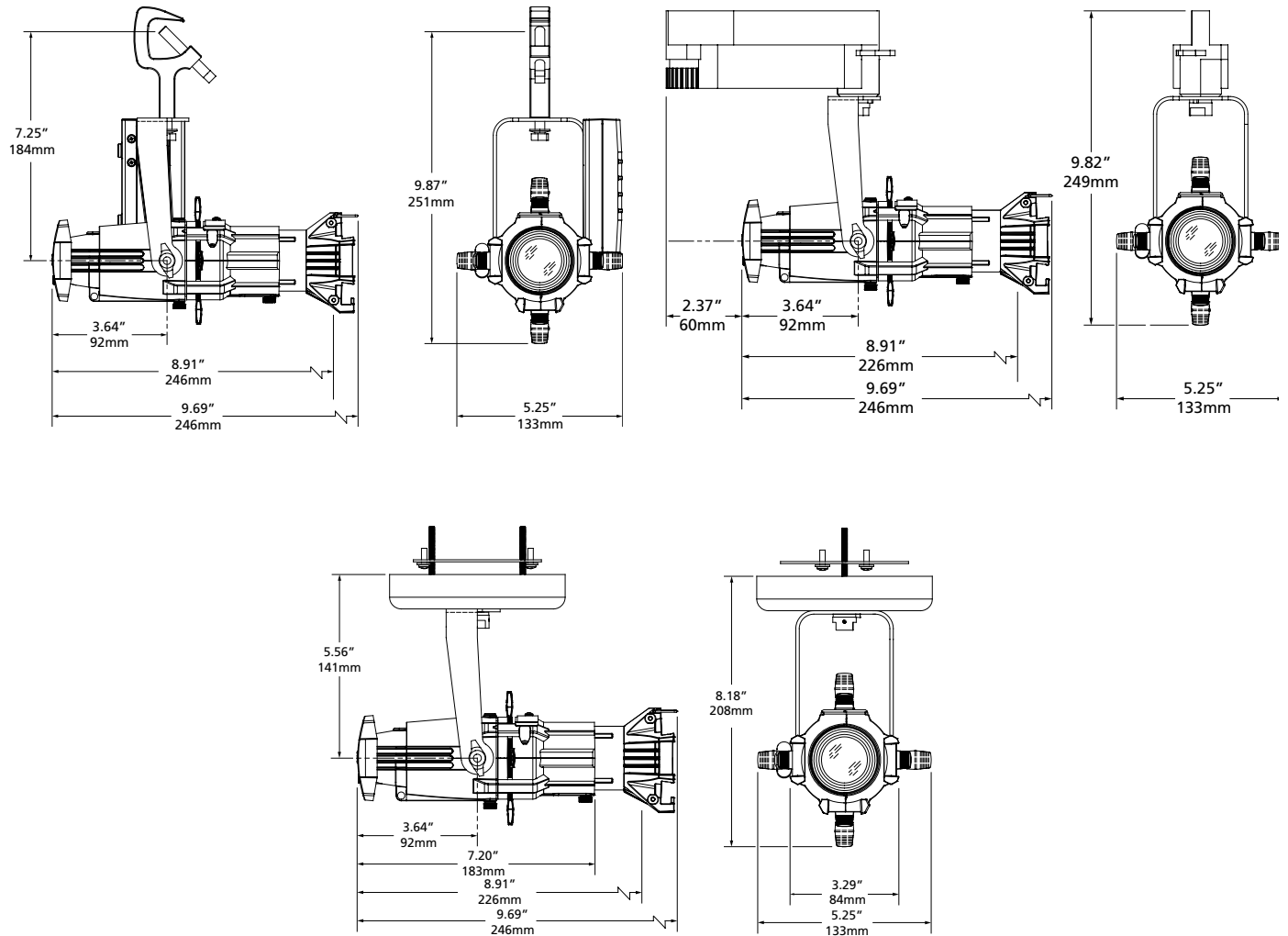
**4MHHS - HALF HAT SHORT**

PHYSICAL

Source Four Mini Weights and Dimensions

	WEIGHT		SHIPPING WEIGHT	
	lbs.	kgs	lbs	kgs
Portable	2.7	1.2	3.8	1.7
Install Canopy	2.6	1.2	3.7	1.7
Track Mount	2.4	1.1	3.6	1.6

\*Shipping Dimensions: 12.6" x 10.8" x 6"



Corporate Headquarters • 3031 Pleasant View Rd, PO Box 620979, Middleton WI 53562 0979 USA • Tel +1 608 831 4116 • Fax +1 608 836 1736

London, UK • Unit 26-28, Victoria Industrial Estate, Victoria Road, London W3 6UU, UK • Tel +44 (0)20 8896 1000 • Fax +44 (0)20 8896 2000

Rome, IT • Via Pieve Torina, 48, 00156 Rome, Italy • Tel +39 (06) 32 111 683 • Fax +44 (0)20 8752 8486

Holzkirchen, DE • Ohmstrasse 3, 83607 Holzkirchen, Germany • Tel +49 (80 24) 47 00-0 • Fax +49 (80 24) 47 00-3 00

Hong Kong • Room 1801, 18/F, Tower 1 Phase 1, Enterprise Square, 9 Sheung Yuet Road, Kowloon Bay, Kowloon, Hong Kong • Tel +852 2799 1220 • Fax +852 2799 9325

Web • www.etcconnect.com • Copyright©2015 ETC. All Rights Reserved. All product information and specifications subject to change. 7063L1001 Rev. F USA 09/15

U.S. and international patents pending.